

WHEEL DRIVES

600 Series

PRODUCT FEATURES

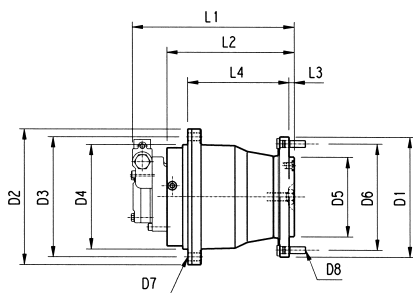
- Torque capacity up to 12.000 Nm.
- Three product styles:
 - R suitable for small diameter wheels of rubber tyred vehicles
 - W suitable for all-terrain vehicles
 - S for skid steer loaders
- Two-stage planetary reductions
- High capacity taper roller bearings
- Hydraulically released failsafe parking brake, multidisc type, spring operated.
- Optional mechanical gear disengagement for towing the vehicle in an emergency.
- Can accommodate various hydraulic motors, both low and high speed type.



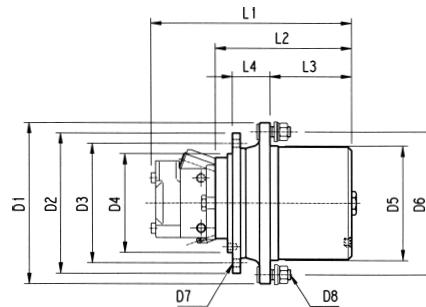
Type	Max. torque Nm	Ratios 1:	Max. input speed min -1	Hydraulic motor drive (1)	Braking torque Nm	Min. opening pressure bar	Weight Kg	Design
601 R1	1750	5.77	500	LS	50	20	35	A
603 W2 V	4000	19-23-32-40	3000	HS	210	18	45	B
603 W2 L	4000	19-23-32-40	3000	HS	210	18	45	A
605 W2 V	7000	22-27-30-42-53	3000	HS	220-310	10-20	70	B
606 W2 V	12000	30-35-44	3000	HS	350-600	10-20	110	B
603 W S	4000	19-23-32-40	3000	HS	210	18	45	C
605 W2 S	7000	39	3000	HS	220-310	10-20	70	C

(1) LS = Low speed motor, HS = High speed motor

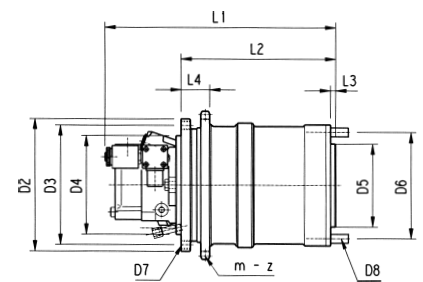
DESIGN A



DESIGN B



DESIGN C



603 W S	m - z: m 1"x17,02 z 30 DIN 8180
605 W2 S	m - z: m 1" 1/4x3/4" z 27 DIN 8188

Type	Dimensions											
	D1	D2	D3	D4	D5	D6	D7	D8	L1	L2	L3	L4
601 R1	230	260	230	200	152.4	203.2	15 n° 8	M14x1,5 n° 8	325	245	10	195
603 W2 V	280	270	230	190	200	245	M16x2 n° 8	M18x1,5 n° 6	390	230	128	72
603 W2 L	280	270	230	190	160	205	M16x2 n° 8	M18x1,5 n° 6	390	230	25	175
605 W2 V	310	270	230	190	200	275	M16x2 n° 8	M20x1,5 n° 6	400	260	158	72
606 W2 V	370	330	300	270	280	335	M16x2 n° 18	M22x1,5 n° 10	440	285	155	115
603 W S		270	230	190	160	205	M16x2 n° 8	M18x1,5 n° 6	390	225	25	50
605 W2 S		270	230	190	160	205	M16x2 n° 8	M18x1,5 n° 6	440	300	10	140